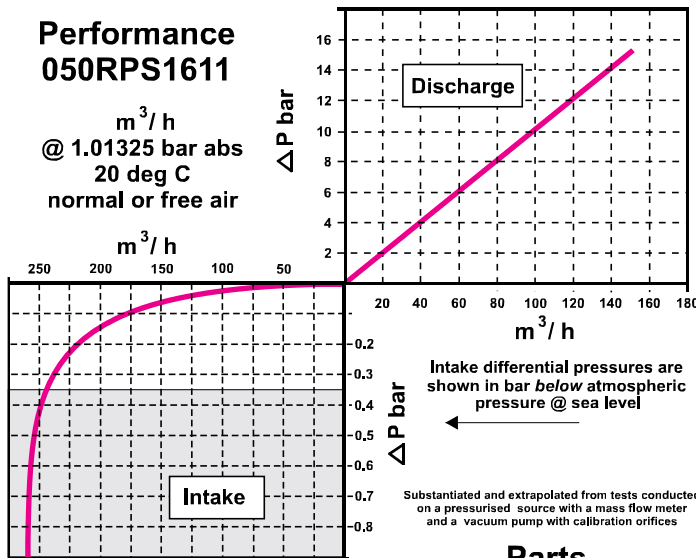


Series RPS

Ventomat Series RPS 50 mm Air release and vacuum breaking

Performance 050RPS1611

m^3/h
@ 1.01325 bar abs
20 deg C
normal or free air

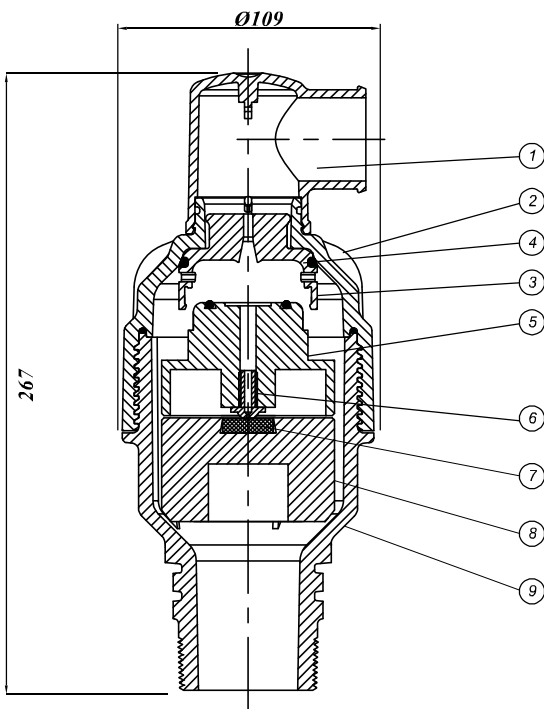


Caution

The VENTOMAT valve is specifically designed to limit the large discharges associated with the large orifice. When evaluating the large orifice performance of **another valve manufacturer** ask specifically if the large orifice discharge data quoted is in the presence of water. In other words if the discharge performance is quoted as say 400 meters cubed / Hr @ 0.8 Bar the valve must be able to close instantaneously with water and still not exceed its max test pressure rating of 24 Bar (1.5 times working pressure)

Parts

Item	Description	Material
1	Outlet	Polypropylene
2	Upper Body	Polypropylene reinforced
3	"Anti-shock" Device	Polypropylene
4	O - Rings	EPDM
5	Upper Float	Polyethylene
6	Nozzle	Stainless Steel/ Nylon
7	Nozzle Seat	EPDM
8	Lower Float	Polyethylene
9	Lower Body	Polypropylene reinforced



Specifications

Operating pressure	0.2 to 16 Bar
Media	Drinkable water 4 - 85 Deg C
Inlet	2 Inch BSP Male (taper)
Outlet	Rotatable 360 deg for 43 ID pipe
Mass	0.94 kg
Areas (mm^2)	Large orifice 800 , small orifice 12

Benefits

- Simple efficient action
- Reduces water hammer
- Multifunction versatile product
- Ensures maximum protection
- Unique self cleaning operation
- UV stabilised
- Robust lightweight and compact
- Replaces any existing valves

Ordering information

050RPS1611	Standard - 2 inch BSP 16 bar
050RPSb1611	Pump start- Large orifice in small orifice out
050RPSv1611	For syphon- both orifices out only

Series RPS

Ventomat Series RPS 25 mm and 15 mm Air Release only

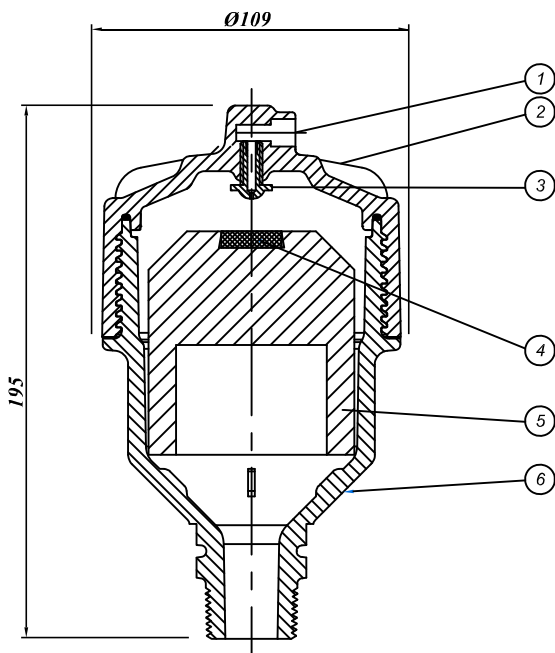
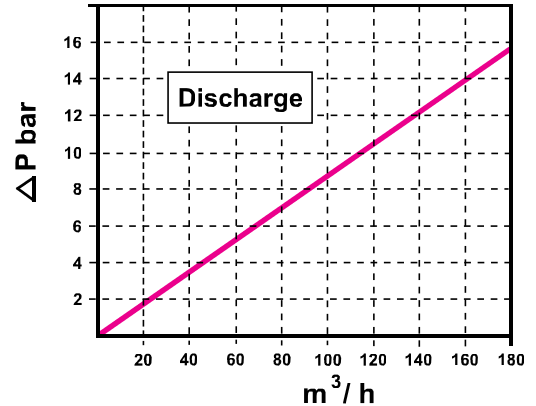
Performance

025RPS1611

015RPS1611

m^3/h
@ 1.01325 bar abs
20 deg C
normal or free air

Substantiated and extrapolated from tests conducted on a pressurised source with a mass flow meter



Parts

Item	Description	Material
1	Outlet	(Part of upper body)
2	Upper Body	Polypropylene reinforced
3	Nozzle	Nylon 6
4	Nozzle Seat	E.P.D.M.
5	Control Float	H.D.P.E.
6	Lower Body	Polypropylene reinforced

Specifications

Operating pressure	0.2 to 16 Bar
Media	Drinkable water 4 - 85 Deg C
Inlet	½ and 1 Inch BSP Male (taper)
Mass	0.8 kg
Area (mm^2)	Small orifice 12
Outlet	4 mm Dia
Outlet (options)	External pipe min 5 mm dia ID (Press in fitting) hole 9.7 mm dia ID

Benefits

- Simple efficient action
- Reduces water hammer
- Multifunction versatile product
- Ensures maximum protection
- Unique self cleaning operation
- UV stabilised
- Robust lightweight and compact
- Replaces any existing valves

Ordering information

015RPS1611	Standard - ½ inch BSP 16 bar
025RPS1611	Standard - 1 inch BSP 16 bar
000RPS01	Press in fitting for ext tube - nylon