



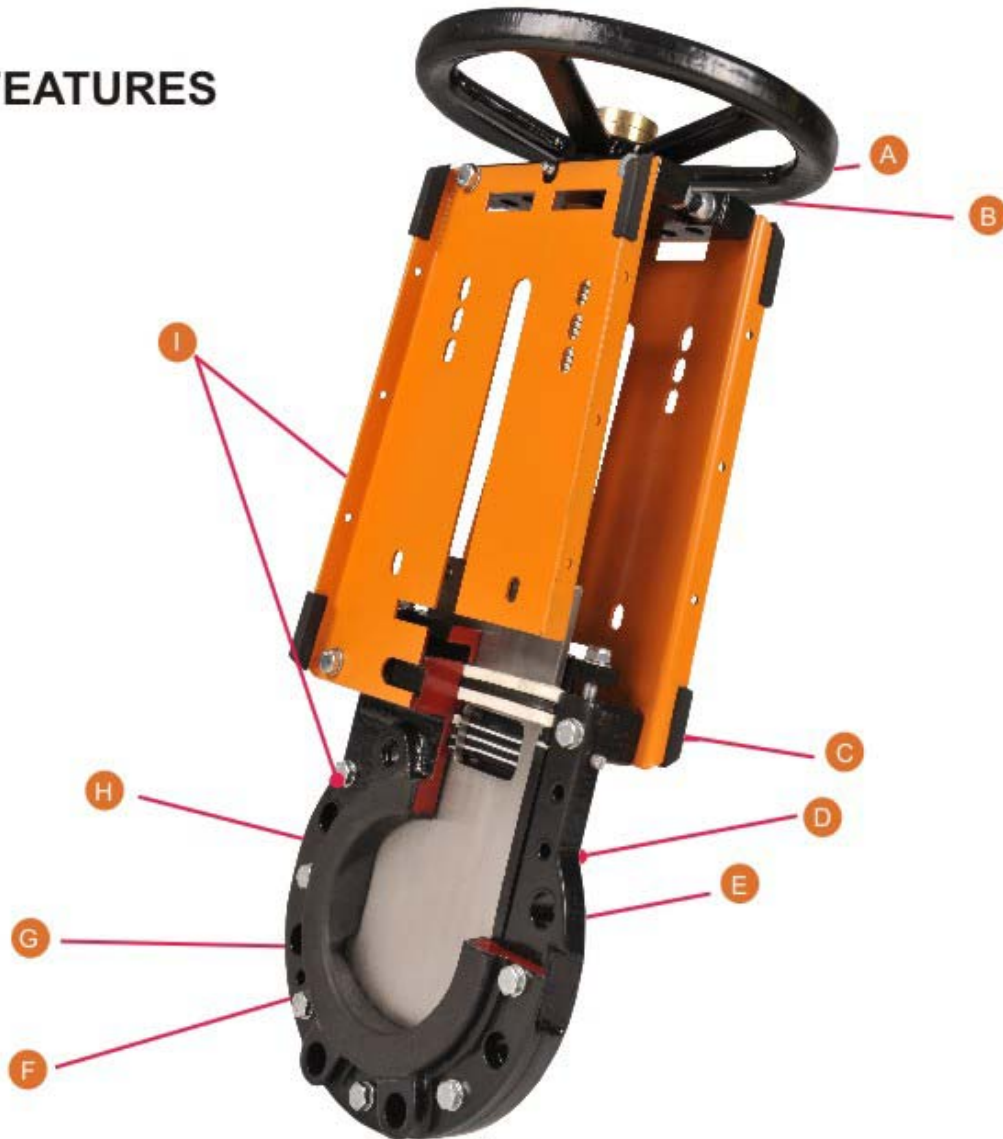
INSAMCOR

KNIFE GATE VALVES



MANUFACTURERS AND DISTRIBUTORS OF VALVES

DESIGN FEATURES



- A** Rising / non-rising stainless steel spindle
- B** Operating mechanisms are fully interchangeable
- C** Patented combination transverse seal/stuffing box arrangement ensures leak proof sealing to atmosphere and allows maintenance under full line pressure.
- D** Robust and compact fully lugged design. Suitable for end of line installation
- E** Internal resilient moulded seal, mechanically retained. Fully guided blade. Bi-directional leak proof sealing is obtained
- F** Full bore, unrestricted flow area - no valve seat pocket or cavity
- G** Self cleansing flush out corners prevent deposit buildup in sealing area
- H** Polished stainless steel blade with beveled edge at the base cuts through dense media
- I** Fusion bonded epoxy powder coated body & A frame as standard.
- J** Pressure rating - PN10 as standard. Other pressure ratings on request.

True bi-directional flow capability

- Mechanically retained resilient moulded seal ensures that the blade is guided throughout its travel and that bi-directional leakproof sealing is obtained. (1)



- Primary transverse seal arrangement allows simple re-packing of the valve under full line pressure - thus eliminating costly plant shutdown and maintenance costs. (2)

- Secondary external seal arrangement to atmosphere by means of an external stuffing box arrangement and gland packing. (3)



- Soft rubber lined valves allow for increased clearance and built in scrapers keep the blade free from any foreign matter over the whole width during operation. (4)

- Suitable for mounting between flanges or as a terminal valve. Valve installation can be in any position with the exception of dense slurry applications where installation must be vertical. Preferred installation however is vertical or horizontal.



- Solid two piece body casting.

- Modular design allows for different drive mechanisms. These can be changed without removing the valve from the line. (5)

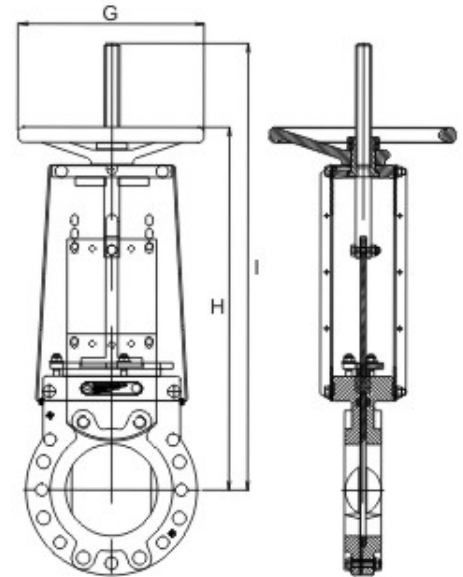


- Yoke design allows for easy mounting of proximity & limit switches as well as position indicator & locking facility. (6)

DIMENSIONS

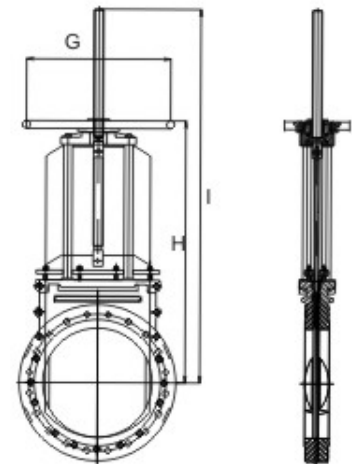
DN50-400

HANDWHEEL OPERATED ASSEMBLY							
SIZE Dn	FACE TO FACE (mm)				GØ	H	I
	RFHDIFBE	RFHDIPWR	RFHDISRL	RFHDIRLP			
DN50	43	48	49	54	250	406	451
DN65	46	51	52	57	250	437	500
DN80	46	53	52	59	250	472	547
DN100	52	58	58	64	250	545	640
DN125	56	61	62	67	250	588	708
DN150	60	65	68	73	300	592	730
DN200	72	79	80	87	400	805	990
DN250	76	84	84	89	400	877	1115
DN300	80	88	88	96	500	958	1256
DN350	78	86	86	94	500	1135	1483
DN400	100	108	108	116	500	1213	1611



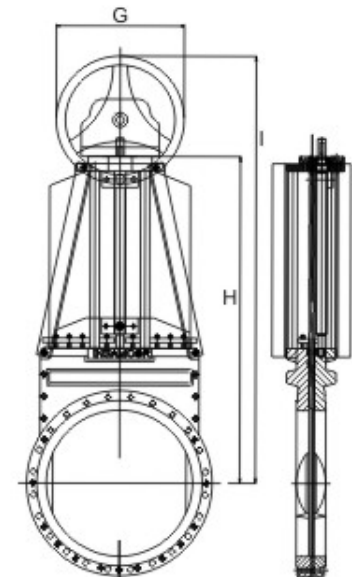
DN450-600

HANDWHEEL OPERATED ASSEMBLY							
SIZE Dn	FACE TO FACE (mm)				GØ	H	I
	RFHDIFBE	RFHDIPWR	RFHDISRL	RFHDIRLP			
DN450	100	110	110	118	695	1088	1540
DN500	110	120	120	130	695	1177	1677
DN600	130	140	142	152	695	1360	1960



DN700-1200

GEARBOX OPERATED ASSEMBLY							
SIZE Dn	FACE TO FACE (mm)				GØ	H	I
	RFHDIFBE	RFHDIPWR	RFHDISRL	RFHDIRLP			
DN700	150	162	162	174	750	1630	1906
DN750	150	*	162	*	750	1712	2131
DN800	160	172	172	182	750	1890	2265
DN900	180	*	192	*	750	1975	2390
DN1000	200	*	212	*	750	2287	2800
DN1200	212	*	224	*	750	2775	3125



* ITEMS MANUFACTURED TO ORDER

Specifications and Applications

MODEL RF-DI-FBE

Insamcor Knife Gate Valve, ring flanged Ductile Iron designed body with Fusion bonded epoxy coating, flange drillings compatible with BS 4504-PN 10/16, ANSI 150 and BS 10 table D. The design will allow for bi directional flow against maximum pressure. The seal shall be moulded, available in either Nitrile or Viton, with a patented, combination transverse seal and stuffing box arrangement. The stainless steel polished blade edge shall remain in contact with the seal during the full travel, providing a bubble tight seal. The Valve shall be suitable for fitment with a hand wheel, gearbox, pneumatic / electric/ hydraulic actuator.

Available sizes from DN 50 – DN 1200

Applications: Light slurries, paper and pulp, water, sewage.

MODEL RF-DI-SRL

Insamcor Knife Gate Valve, ring flanged Ductile Iron body with the bore and faces soft rubber lined, flange drillings compatible with BS 4504-PN 10/16, ANSI 150 and BS10 table D. The design will allow for bi directional flow against maximum pressure. The seal shall be moulded, available in either Nitrile or Viton, with a patented, combination transverse seal and stuffing box arrangement. The stainless steel polished blade edge remains in contact with the seal during the full travel, providing a bubble tight seal. The Valve shall be suitable for fitment with a hand wheel, gearbox, pneumatic / electric/ hydraulic actuator.

Available sizes from DN 50 – DN 1200

Applications: Medium to heavy slurries with an SG lower than 1.2

MODEL PB-DI-STD

Insamcor PN10 Ported Blade Valve, ring flanged Ductile Iron body, flange drillings compatible with BS 4504-PN 10/16, ANSI 150 and BS10 table D. Valves shall be bi-directional with the bore formed by two sleeves, one on either side of the blade integrally moulded with a stiffener ring. These sleeves shall act as a scraper while the stainless steel polished blade is being opened. Sleeves are compressed between the pipe flanges once installed. The valve shall offer a full port in the fully open position. On closing, the media shall be deposited into the lower chest area of the valve where a flushing arrangement is preferred. In order to prevent build-up of product the flushing ports shall be piped up and fully operational or the bottom door removed.

Available sizes from DN 50 to DN 600

Applications: Heavy slurries of SG's greater than 1.2

MODEL SKG-W

"SKG" Wafer Slurry Knife Gate Valve. Body castings in Ductile Iron, flange drillings compatible with BS 4504-PN 10, ANSI 150 and BS 10 table D. A pressure rating of PN 16 applies on valves up to DN 150 and PN 10 up to DN 400. The valves shall be bi-directional with the bore formed by two sleeves, one on either side of the blade integrally moulded with a stiffener ring. The sleeve shall act as a scraper while the stainless steel polished blade is being opened. These sleeves are compressed between the pipe flanges once installed. The valve shall be full port in the open position with the blade fully withdrawn from the flow. When the blade is withdrawn the sleeves shall compress against each other to form a continuous uninterrupted flow path. Upon closing the blade progressively separates the sleeves and once fully closed will form a bubble tight seal. The valve can be fitted with a hand wheel, gearbox, pneumatic / electric/ hydraulic actuator.

Available sizes from DN 50 – DN 400

Applications: Heavy slurries of SG's greater than 1.2

The Company

INSAMCOR has been servicing Mining and Industry since 1973 and is today South Africa's leading manufacturer of KNIFE and PORTED BLADE GATE VALVES.

The "INSAMCOR" Knife Gate Valve was developed as a result of many years of operational experience.

Essential and important features had to be considered in its design and construction to ensure leak-proof sealing against all kinds of media under stringent flow conditions as well as long trouble free operating service with low maintenance costs.

"INSAMCOR" Knife Gate Valves are therefore unique in their design.

OPTIONS AVAILABLE

Data sheets available on request



RFH-DI-FBE



RFC-DI-FBE



RFE-DI-FBE



SKG-W-DI



PBH-DI-STD

DRIVE OPTIONS

- Handwheel
- Pneumatic Cylinder
- Hydraulic Cylinder
- Chainwheel
- Gearbox
- Electric Actuator
- Lever

VALVE OPTIONS

- Replaceable Ni-hard wear cone with gasket
- Polyurethane Deflector Cones
- Rubber lined body
- Ported Blade Gate Valve
- Vee and pentagonal port for flow control



VENT-O-MAT AUSTRALIA PTY LTD ABN 20 114 575 101
A DIVISION OF DYNAMIC FLUID CONTROL PTY LTD

MANUFACTURES & DISTRIBUTORS
OF VALVES FOR
WATER, MINING & INDUSTRIAL APPLICATIONS

Ph/Fax: 08 9302 4186 Mobile: 0425 395 930 Email: tfoy@ventomat.com.au
Address: Unit 1, 50 Attwell St. LANDSDALE PERTH WA 6065 AUSTRALIA